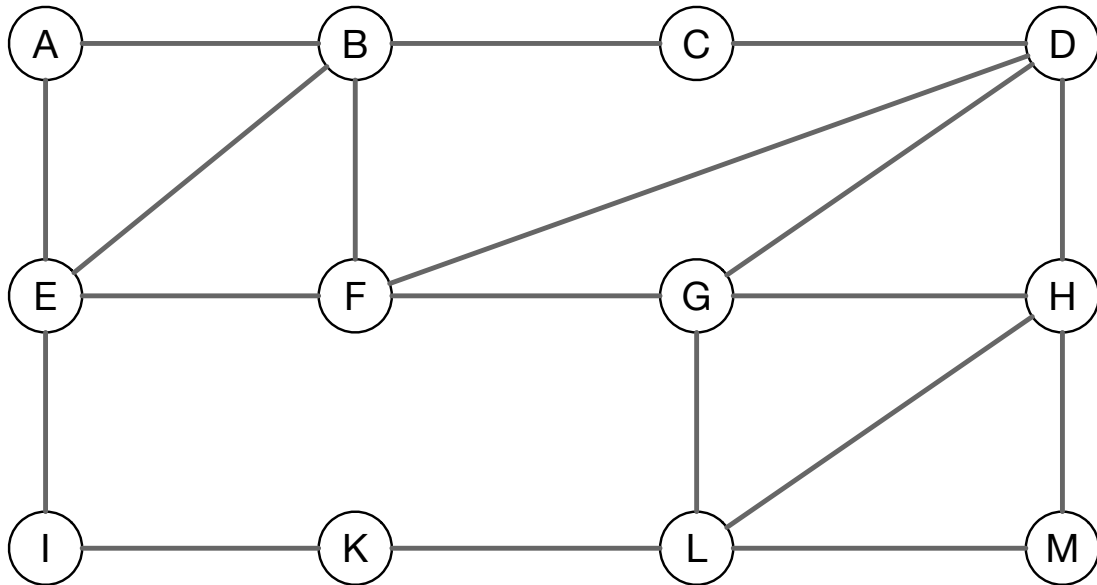


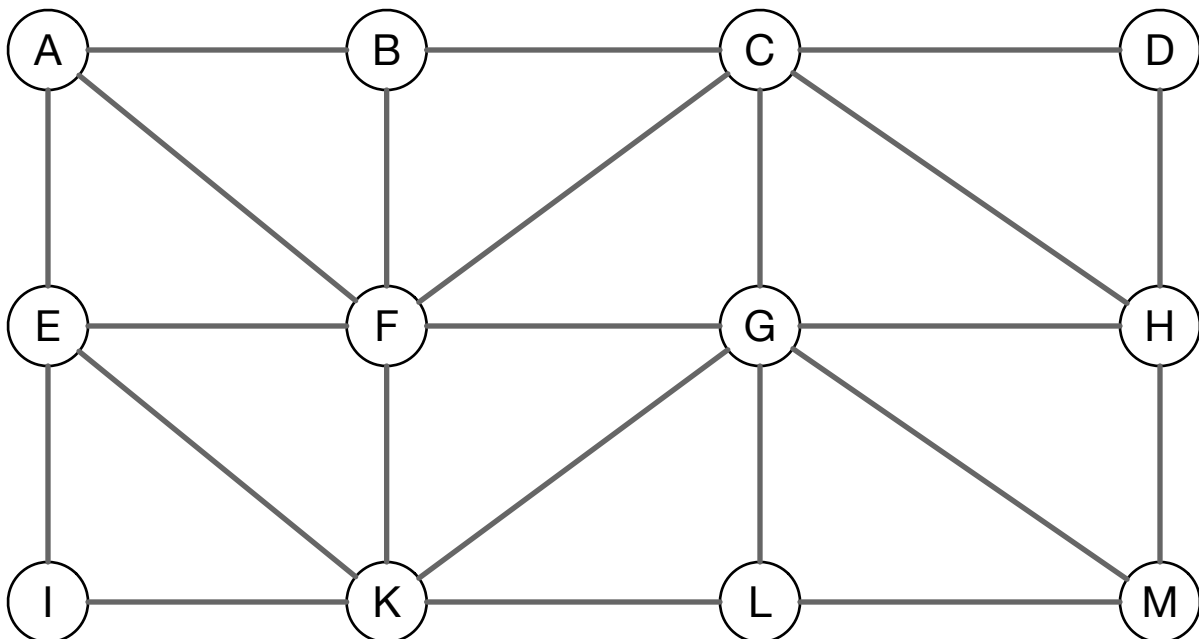
Algorithms Homework

due November 9, 2020

1. Use Fleury's algorithm to find an Euler tour of the following graph. You can specify it by listing the nodes through which it passes.



2. Find a Hamiltonian circuit for the following graph. (You can give it by listing the nodes through which the circuit passes.):



3. Calculate the distances of the nodes in the following graph from the node S using Dijkstra's algorithm. Show the result after processing each node. Color the nodes that have their final distance assigned, that are currently being processed, and that still await assignment. For your convenience, I have created a pdf with copies of the graph, if you want to annotate them. Break ties alphabetically.

